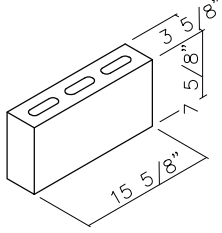
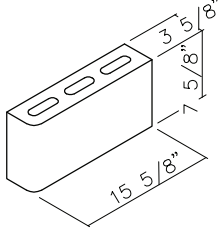
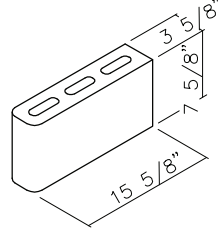
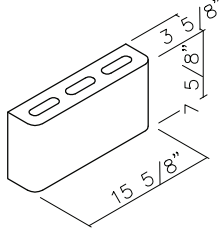
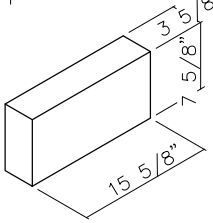
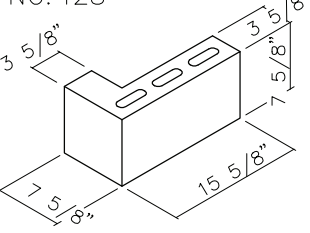
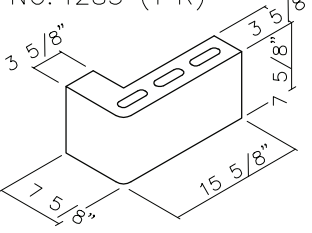
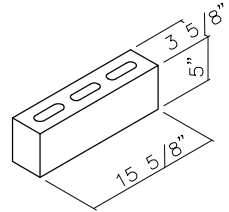
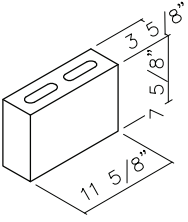
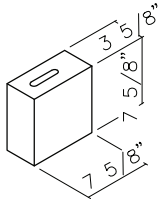
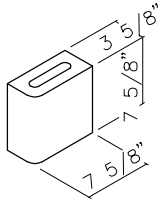
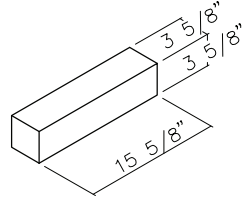
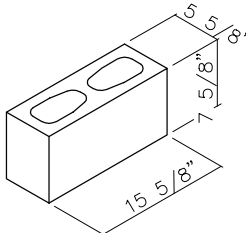
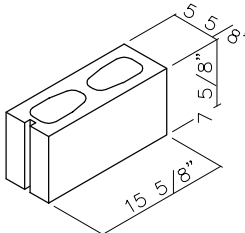
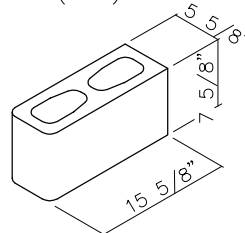
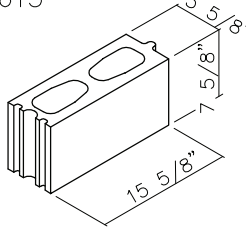
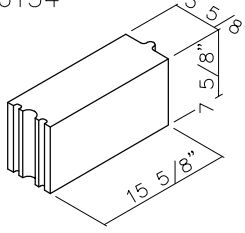
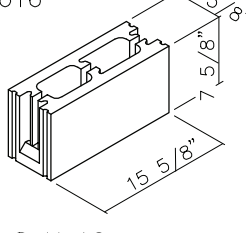
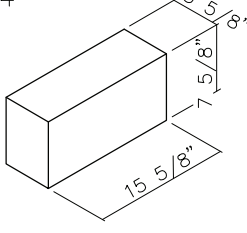
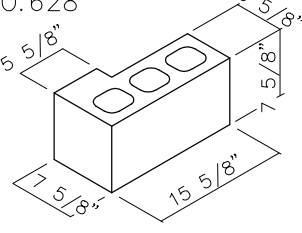
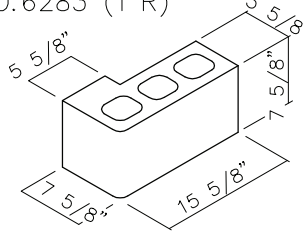
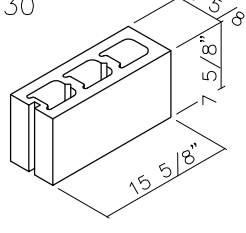
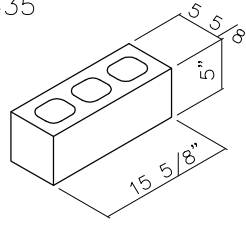
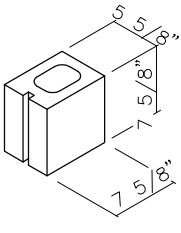
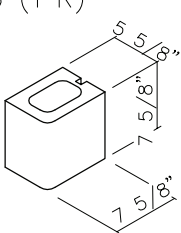
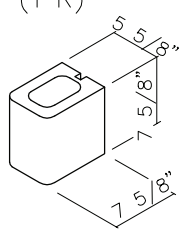


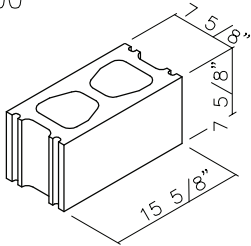
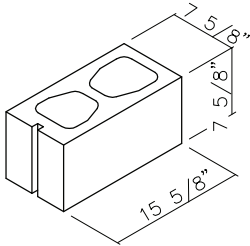
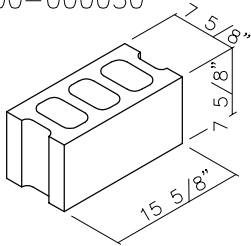
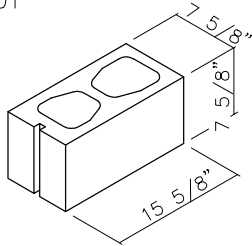
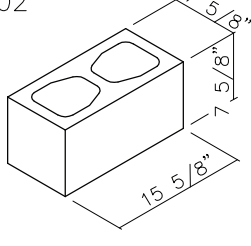
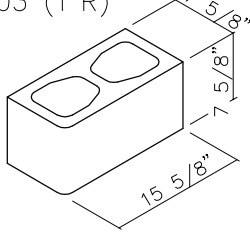
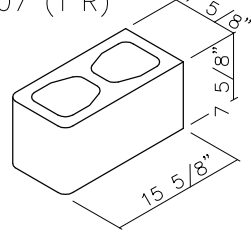
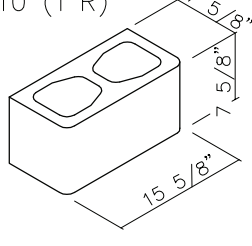
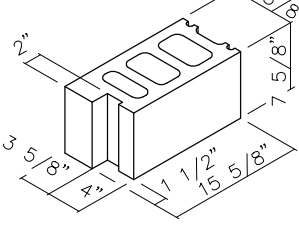
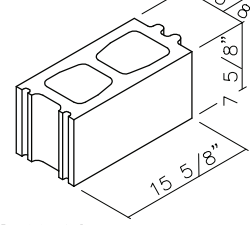
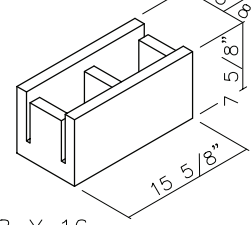
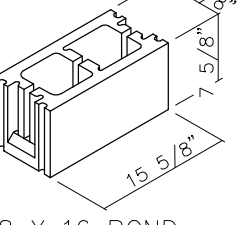
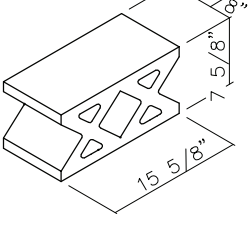
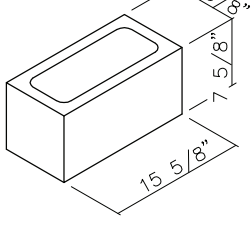
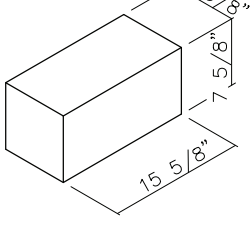
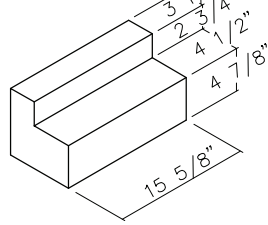
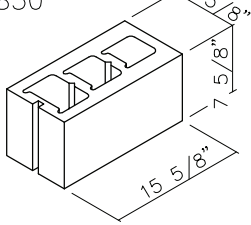
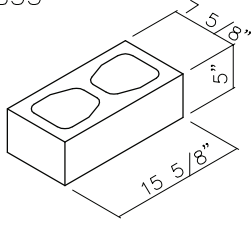
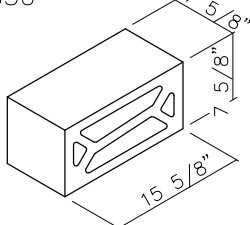
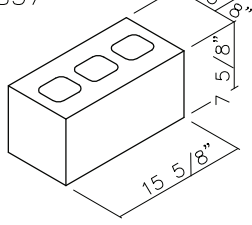
4 INCH BLOCK

<p>NO.402</p>  <p>4 X 8 X 16 PARTITION</p>	<p>NO.403 (1"R)</p>  <p>4 X 8 X 16 SINGLE BULLNOSE CORNER</p>	<p>NO.407 (1"R)</p>  <p>4 X 8 X 16 DOUBLE BULLNOSE CORNER</p>	<p>NO.410 (1"R)</p>  <p>4 X 8 X 16 DOUBLE BULLNOSE PILASTER</p>
<p>NO.424</p>  <p>4 X 8 X 16 SOLID</p>	<p>NO.428</p>  <p>4 X 8 X 16 RETURN CORNER</p>	<p>NO.4283 (1"R)</p>  <p>4 X 8 X 16 BULLNOSE RETURN CORNER</p>	<p>NO.435</p>  <p>4 X 5 X 16 STARTER</p>
<p>NO.439</p>  <p>4 X 8 X 12 THREE QUARTER</p>	<p>NO.442</p>  <p>4 X 8 X 8 HALF</p>	<p>NO.443 (1"R)</p>  <p>4 X 8 X 8 SINGLE BULLNOSE HALF</p>	<p>NO.494</p>  <p>4 X 4 X 16 SOLID</p>

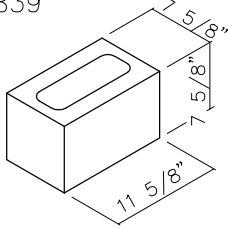
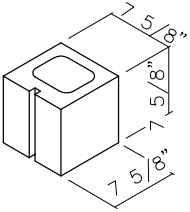
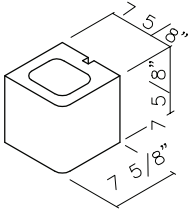
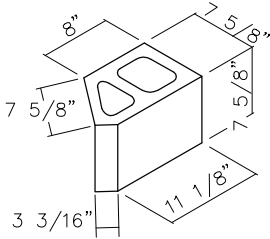
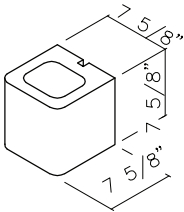
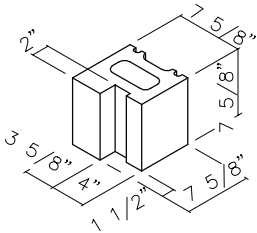
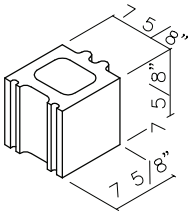
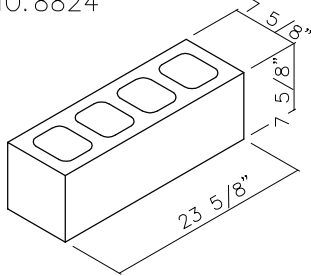
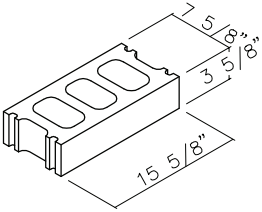
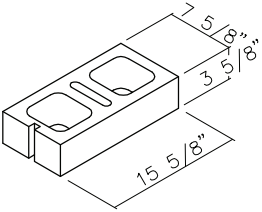
6 INCH BLOCK

<p>NO.602</p>  <p>6 X 8 X 16 PARTITION</p>	<p>NO.603 (1"R)</p>  <p>6 X 8 X 16 CORNER JAMB</p>	<p>NO.607 (1"R)</p>  <p>6 X 8 X 16 DOUBLE BULLNOSE CORNER</p>	
<p>NO.613</p>  <p>6 X 8 X 16 REGULAR CONTROL JOINT</p>	<p>NO.6134</p>  <p>6 X 8 X 16 SOLID CONTROL JOINT</p>	<p>NO.616</p>  <p>6 X 8 X 16 BOND BEAM - SOLID BOTTOM</p>	<p>NO.624</p>  <p>6 X 8 X 16 SOLID</p>
<p>NO.628</p>  <p>6 X 8 X 16 RETURN CORNER</p>	<p>NO.6283 (1"R)</p>  <p>6 X 8 X 16 BULLNOSE RETURN CORNER</p>	<p>NO.630</p>  <p>6 X 8 X 16 UTILITY BLOCK / KNOCKOUT LINTEL</p>	<p>NO.635</p>  <p>6 X 5 X 16 STARTER</p>
<p>NO.641</p>  <p>6 X 8 X 8 CORNER JAMB HALF</p>	<p>NO.643 (1"R)</p>  <p>6 X 8 X 8 SINGLE BULLNOSE HALF</p>	<p>NO.647 (1"R)</p>  <p>6 X 8 X 8 DOUBLE BULLNOSE HALF</p>	

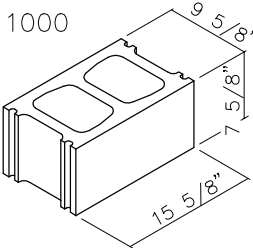
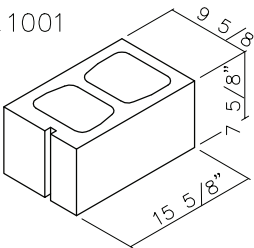
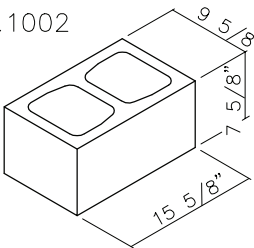
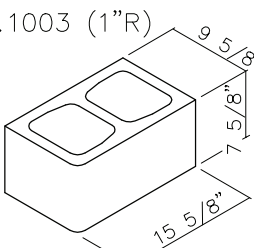
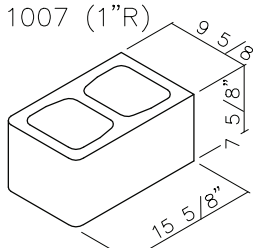
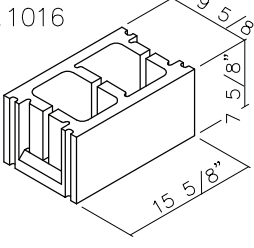
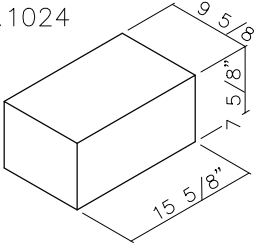
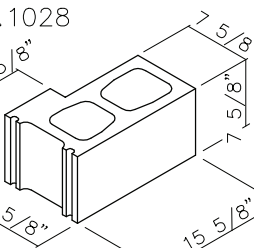
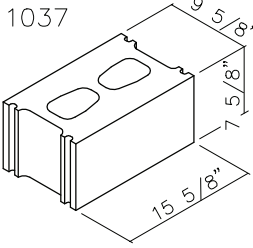
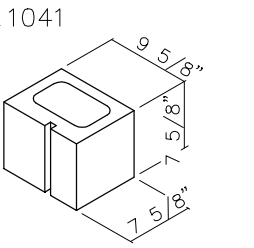
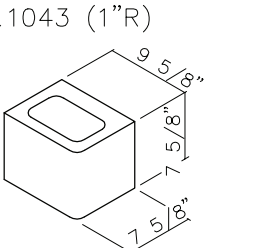
8 INCH BLOCK

<p>NO. 800</p>  <p>8 X 8 X 16 REGULAR</p>	<p>NO. 800-000030</p>  <p>8 X 8 X 16 CORNER JAMB</p>	<p>NO. 800-000030</p>  <p>8 X 8 X 16 REGULAR 3-CORE</p>	<p>NO. 801</p>  <p>8 X 8 X 16 CORNER JAMB</p>
<p>NO. 802</p>  <p>8 X 8 X 16 DOUBLE SQUARE END</p>	<p>NO. 803 (1"R)</p>  <p>8 X 8 X 16 SINGLE BULLNOSE CORNER</p>	<p>NO. 807 (1"R)</p>  <p>8 X 8 X 16 DOUBLE BULLNOSE CORNER</p>	<p>NO. 810 (1"R)</p>  <p>8 X 8 X 16 DOUBLE BULLNOSE PILASTER</p>
<p>NO. 812</p>  <p>8 X 8 X 16 WOOD JAMB</p>	<p>NO. 813</p>  <p>8 X 8 X 16 CONTROL JOINT</p>	<p>NO. 814</p>  <p>8 X 8 X 16 BOND BEAM - OPEN BOTTOM</p>	<p>NO. 816</p>  <p>8 X 8 X 16 BOND BEAM - SOLID BOTTOM</p>
<p>NO. 821</p>  <p>8 X 8 X 16 DOUBLE "X"</p>	<p>NO. 823</p>  <p>8 X 8 X 16 SINGLE CORE</p>	<p>NO. 824</p>  <p>8 X 8 X 16 SOLID</p>	<p>NO. 826</p>  <p>8 X 8 X 16 SOLID HEADER</p>
<p>NO. 830</p>  <p>8 X 8 X 16 UTILITY BLOCK/ KNOCKOUT LINTEL</p>	<p>NO. 835</p>  <p>8 X 5 X 16 STARTER</p>	<p>NO. 836</p>  <p>8 X 8 X 16 DOUBLE "Y"</p>	<p>NO. 837</p>  <p>8 X 8 X 16 REGULAR 70% SOLID - 2" FACE SHELL</p>

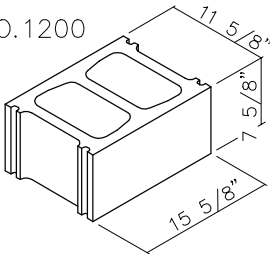
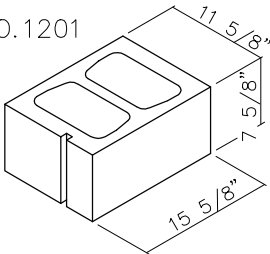
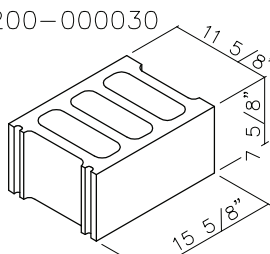
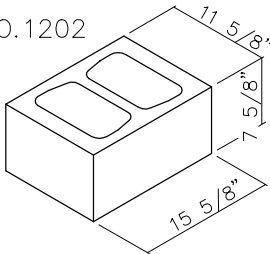
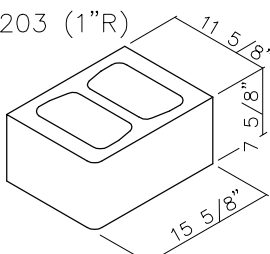
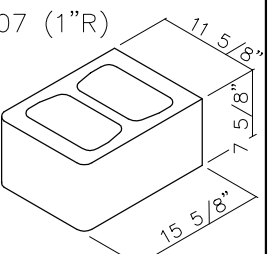
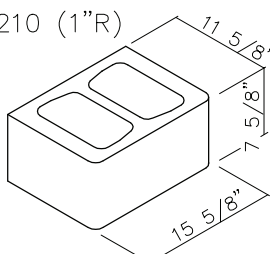
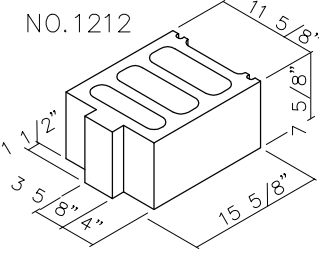
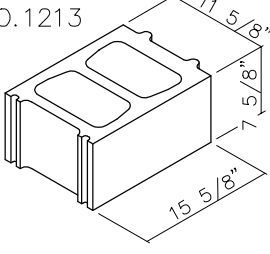
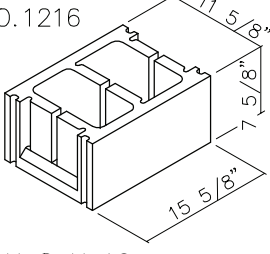
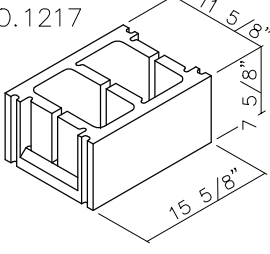
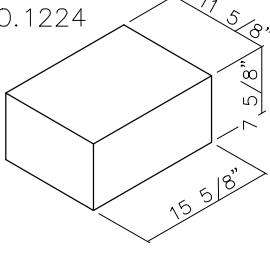
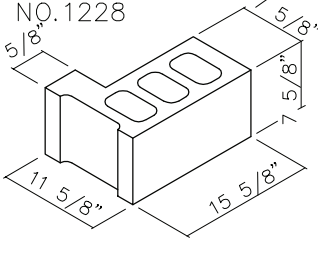
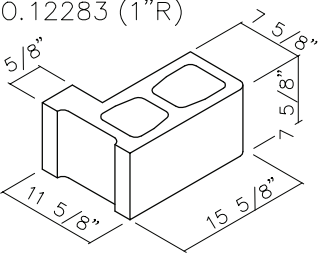
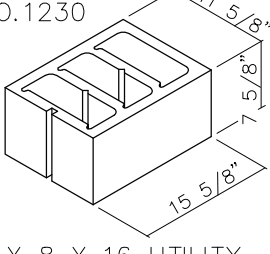
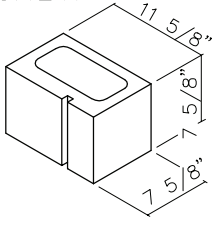
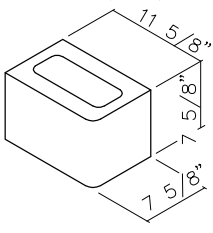
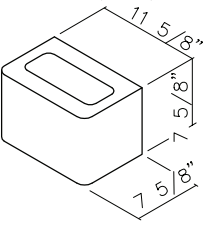
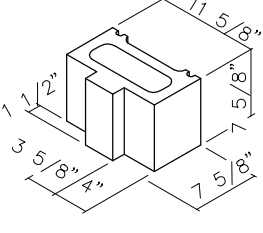
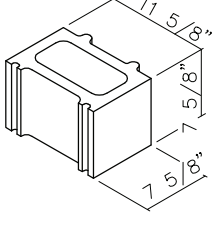
8 INCH BLOCK

<p>NO.839</p>  <p>8 X 8 X 12 THREE QUARTER</p>	<p>NO.841</p>  <p>8 X 8 X 8 CORNER JAMB HALF</p>	<p>NO.843 (1"R)</p>  <p>8 X 8 X 8 SINGLE BULLNOSE HALF</p>	<p>NO.845</p>  <p>8 X 8 X 12 45 DEGREE</p>
<p>NO.847 (1"R)</p>  <p>8 X 8 X 8 DOUBLE BULLNOSE HALF</p>	<p>NO.852</p>  <p>8 X 8 X 8 WOOD JAMB HALF</p>	<p>NO.853</p>  <p>8 X 8 X 8 CONTROL JOINT HALF</p>	<p>NO.8824</p>  <p>8 X 8 X 24 PARTITION</p>
<p>NO.890</p>  <p>8 X 4 X 16 REGULAR HALF HIGH</p>	 <p>8 X 4 X 16 CORNER JAMB</p>		

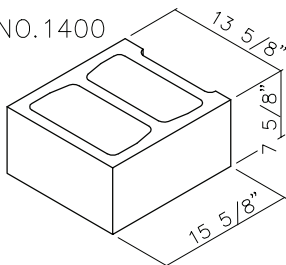
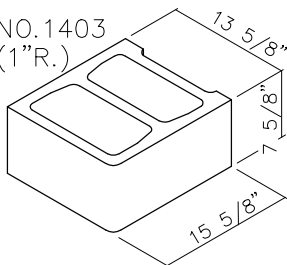
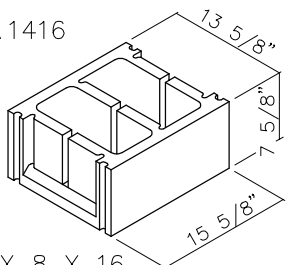
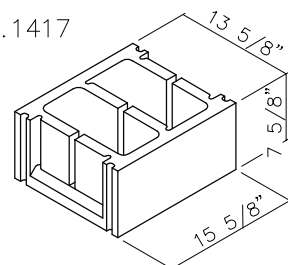
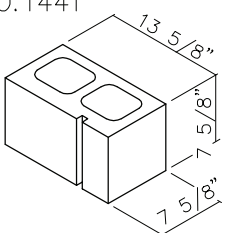
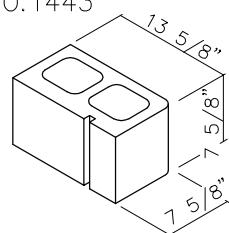
10 INCH BLOCK

<p>NO.1000</p>  <p>10 X 8 X 16 REGULAR</p>	<p>NO.1001</p>  <p>10 X 8 X 16 CORNER JAMB</p>	<p>NO.1002</p>  <p>10 X 8 X 16 DOUBLE SQUARE END</p>	<p>NO.1003 (1"R)</p>  <p>10 X 8 X 16 SINGLE BULLNOSE CORNER</p>
<p>NO.1007 (1"R)</p>  <p>10 X 8 X 16 DOUBLE BULLNOSE CORNER</p>	<p>NO.1016</p>  <p>10 X 8 X 16 BOND BEAM - SOLID BOTTOM</p>	<p>NO.1024</p>  <p>10 X 8 X 16 SOLID</p>	<p>NO.1028</p>  <p>10 X 8 X 16 RETURN CORNER</p>
<p>NO.1037</p>  <p>10 X 8 X 16 REGULAR 63% SOLID - 2 1/4" FACE SHELL</p>	<p>NO.1041</p>  <p>10 X 8 X 8 CORNER JAMB HALF</p>	<p>NO.1043 (1"R)</p>  <p>10 X 8 X 8 SINGLE BULLNOSE HALF</p>	

12 INCH BLOCK

 <p>NO.1200</p> <p>12 X 8 X 16 REGULAR</p>	 <p>NO.1201</p> <p>12 X 8 X 16 CORNER JAMB</p>	 <p>NO.1200-000030</p> <p>12 X 8 X 16 REGULAR 3-CORE</p>	 <p>NO.1202</p> <p>12 X 8 X 16 DOUBLE SQUARE END</p>
 <p>NO.1203 (1"R)</p> <p>12 X 8 X 16 SINGLE BULLNOSE CORNER</p>	 <p>NO.1207 (1"R)</p> <p>12 X 8 X 16 DOUBLE BULLNOSE CORNER</p>	 <p>NO.1210 (1"R)</p> <p>12 X 8 X 16 DOUBLE BULLNOSE PILASTER</p>	 <p>NO.1212</p> <p>12 X 8 X 16 REGULAR WOOD JAMB</p>
 <p>NO.1213</p> <p>12 X 8 X 16 REGULAR CONTROL JOINT</p>	 <p>NO.1216</p> <p>12 X 8 X 16 BOND BEAM - SOLID BOTTOM</p>	 <p>NO.1217</p> <p>12 X 8 X 16 BOND BEAM - OPEN BOTTOM</p>	 <p>NO.1224</p> <p>12 X 8 X 16 SOLID</p>
 <p>NO.1228</p> <p>12 X 8 X 16 REGULAR RETURN CORNER</p>	 <p>NO.12283 (1"R)</p> <p>12 X 8 X 16 BULLNOSE RETURN CORNER</p>	 <p>NO.1230</p> <p>12 X 8 X 16 UTILITY BLOCK/ KNOCKOUT LINTEL</p>	 <p>NO.1241</p> <p>12 X 8 X 8 CORNER JAMB HALF</p>
 <p>NO.1243 (1"R)</p> <p>12 X 8 X 8 SINGLE BULLNOSE HALF</p>	 <p>NO.1247 (1"R)</p> <p>12 X 8 X 8 DOUBLE BULLNOSE HALF</p>	 <p>NO.1252</p> <p>12 X 8 X 8 REGULAR WOOD JAMB HALF</p>	 <p>NO.1253</p> <p>12 X 8 X 8 REGULAR CONTROL JOINT HALF</p>

14 INCH BLOCK

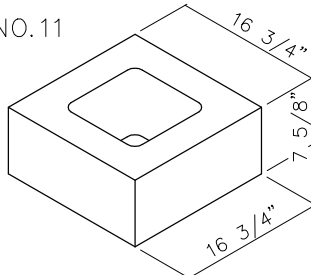
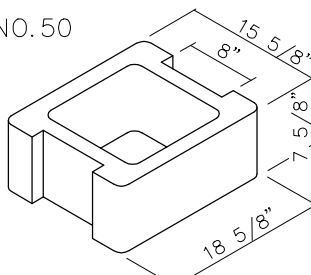
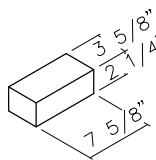
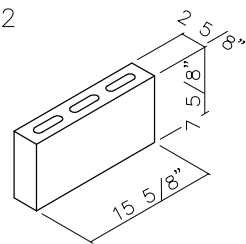
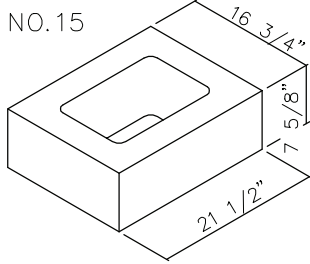
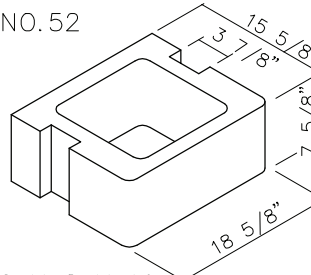
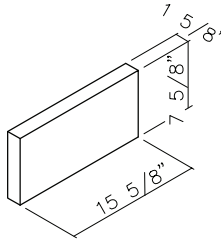
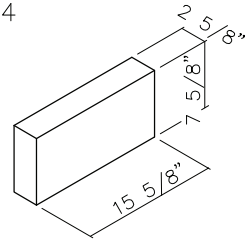
<p>NO.1400</p>  <p>14 X 8 X 16 REGULAR CORNER</p>	<p>NO.1403 (1"R.)</p>  <p>14 X 8 X 16 SINGLE BULLNOSE CORNER</p>	<p>NO.1416</p>  <p>14 X 8 X 16 BOND BEAM - SOLID BOTTOM</p>	<p>NO.1417</p>  <p>14 X 8 X 16 BOND BEAM - OPEN BOTTOM</p>
<p>NO.1441</p>  <p>14 X 8 X 8 CORNER JAMB HALF</p>	<p>NO.1443</p>  <p>14 X 8 X 8 SINGLE BULLNOSE HALF</p>		

MISCELLANEOUS

CHIMNEY BLOCK

COLUMN BLOCK

MISCELLANEOUS

<p>NO.11</p>  <p>CHIMNEY BLOCK FOR 8 X 8 LINER</p>	<p>NO.50</p>  <p>16 X 8 X 19 REGULAR COLUMN</p>	<p>NO.100</p>  <p>3 5/8" X 2 1/4" X 7 5/8" STANDARD BRICK</p>	<p>NO.302</p>  <p>3 X 8 X 16 PARTITION</p>
<p>NO.15</p>  <p>CHIMNEY BLOCK FOR 8 X 12 LINER</p>	<p>NO.52</p>  <p>16 X 8 X 19 FLUSH COLUMN</p>	<p>NO.224</p>  <p>2 X 8 X 16 SOLID</p>	<p>NO.324</p>  <p>3 X 8 X 16 SOLID</p>