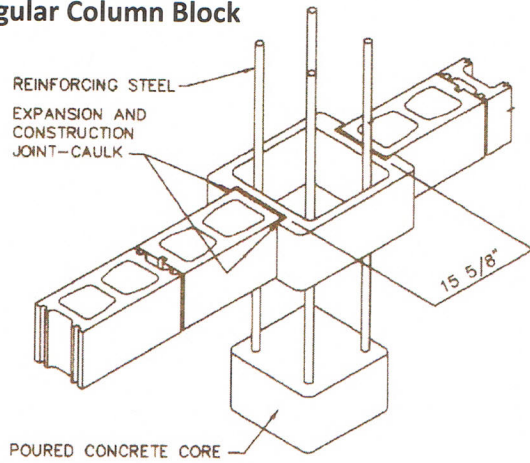
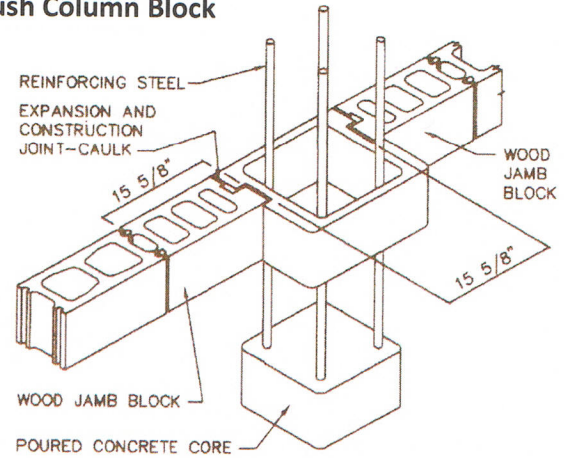


CONSTRUCTION DETAILS

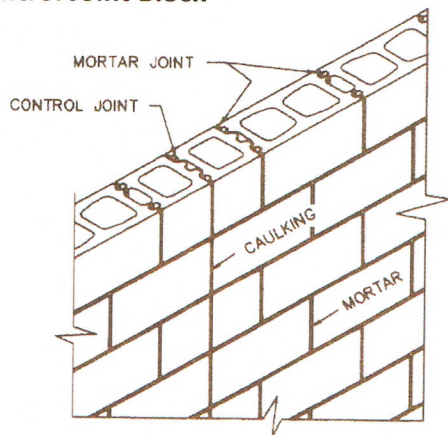
Regular Column Block



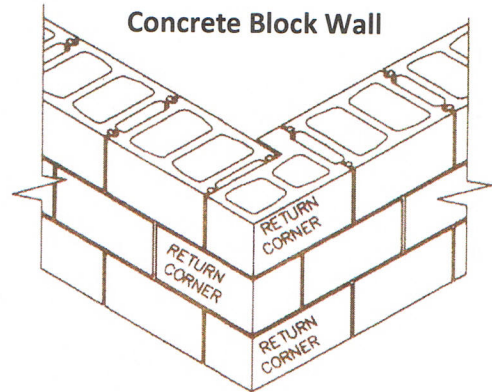
Flush Column Block



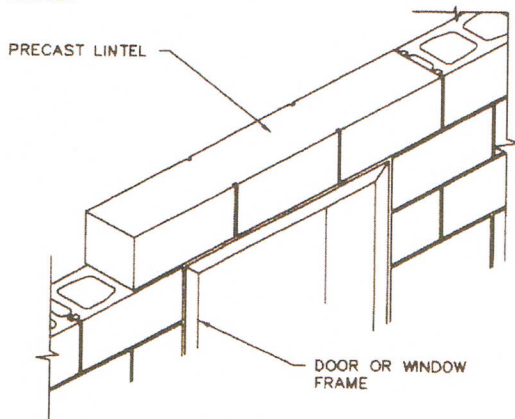
Control Joint Block



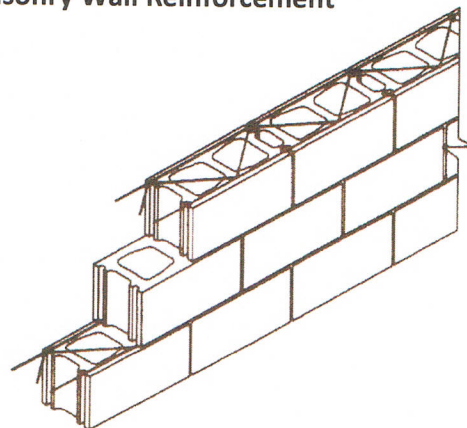
Corner in a 4", 6", 10" and 12" Wall Concrete Block Wall



Lintel

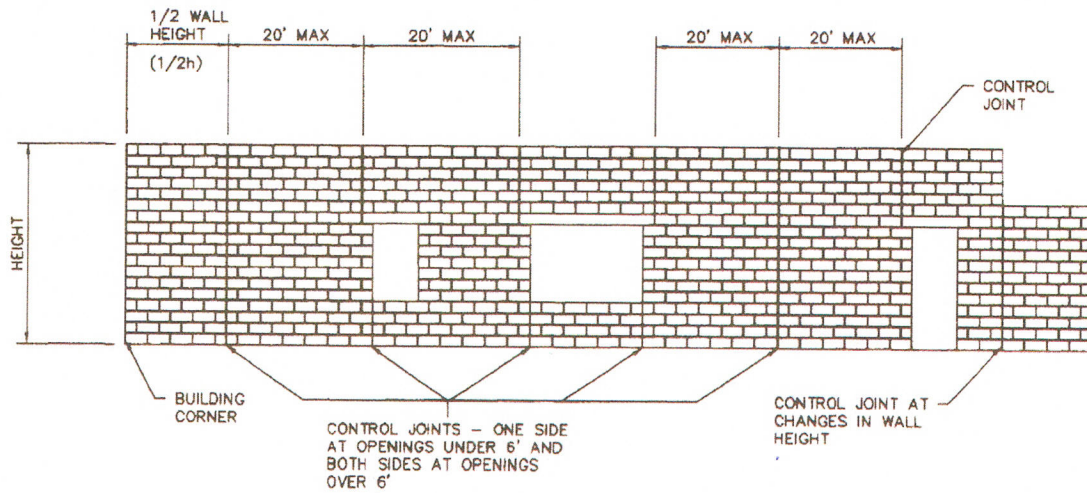


Masonry Wall Reinforcement



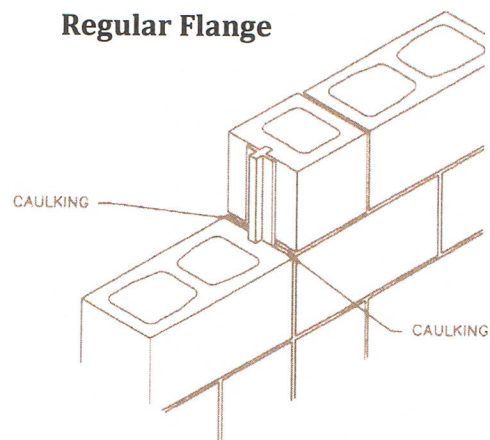
CONSTRUCTIONS DETAILS

Typical Control Joint Locations



Rapid Control Joint

Regular Flange



SPECIFICATION GUIDELINES

Specification Guidelines for Concrete Masonry

1. Concrete masonry units shall be produced to conform to ASTM C90-06 (Standard Specification for Load Bearing Concrete Masonry Units - hollow or solid and any revisions as thereafter adopted) as manufactured by **Masolite**.
2. Standard concrete blocks shall have a flat/smooth surface as provided by molds.
3. Architectural or decorative units shall have a textured face, or end, as specified by the architect.
4. An integral liquid polymeric admixture shall be added to the concrete mix for architectural concrete masonry units to be used in exterior applications. A compatible water repellent admixture shall be added to the mortar. Water-repellent admixtures are added to achieve a class E water permeability rating per ASTM E514-74 for both the concrete block and mortar.
5. Block producer shall be a member of the *National Concrete Masonry Association* and *Indiana Concrete Masonry Association*.
6. Integrally colored units shall have a color pigment added to the concrete during the mixing process.
7. Fire resistive units with a specific fire resistance classification will be furnished where indicated on architect's or engineer's drawings. Fire resistance classification will be based on the equivalent thickness method as published in the *National Concrete Masonry Association's* TEK 7-1B (Fire Resistance Rating of Concrete Masonry Assemblies).
8. Typical stretcher units shall have nominal face dimensions of 8" high x 16" long and thickness as required by the architect/engineer drawings. Specifications for other sizes and shapes should be furnished to meet conditions required or indicated for lintels, corners, jambs, control joints, bond beam, or any other special conditions.
9. Cold weather construction shall conform to the "*Recommended Practices & Guide Specifications for Cold Weather Masonry Construction*" developed by the *International Masonry Industry All Weather Council*. Any wall unfinished at the end of the work day shall be draped with a non-absorbing cover extending at least 2 feet (and weighted) on both sides of the wall.